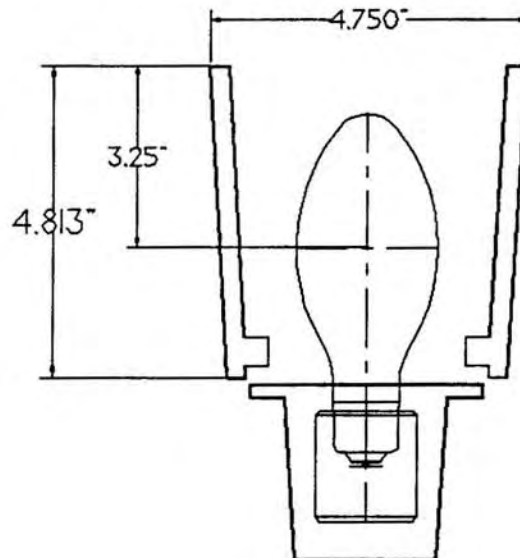


BALLABS CERTIFIED TEST REPORT NO.: 10722.0 DATE 06/26/00  
PREPARED FOR: POLYMER PRODUCTS, LLC - STAMFORD, CONN  
DESCRIPTION: 1/100W CLEAR ED17 MH LAMP 4.75"DIA POST LIGHT REFRACTOR  
S-5 TYPE BOROSILICA GLASS REFRACTOR - OPEN TOP  
MOUNTED ON CAST ALUMINUM FITTER - NO GLOBE ASSEMBLY  
CATALOG NBR: 19-02-04103  
LAMP TYPE : M90 RATED LUMENS 9000. NBR. LAMPS:- 1



IES CUTOFF CLASSIFICATION: NON CUTOFF  
IES ROADWAY CLASSIFICATION: TYPE V -MEDIUM

TESTED IN ACCORDANCE WITH CURRENT IES STANDARDS

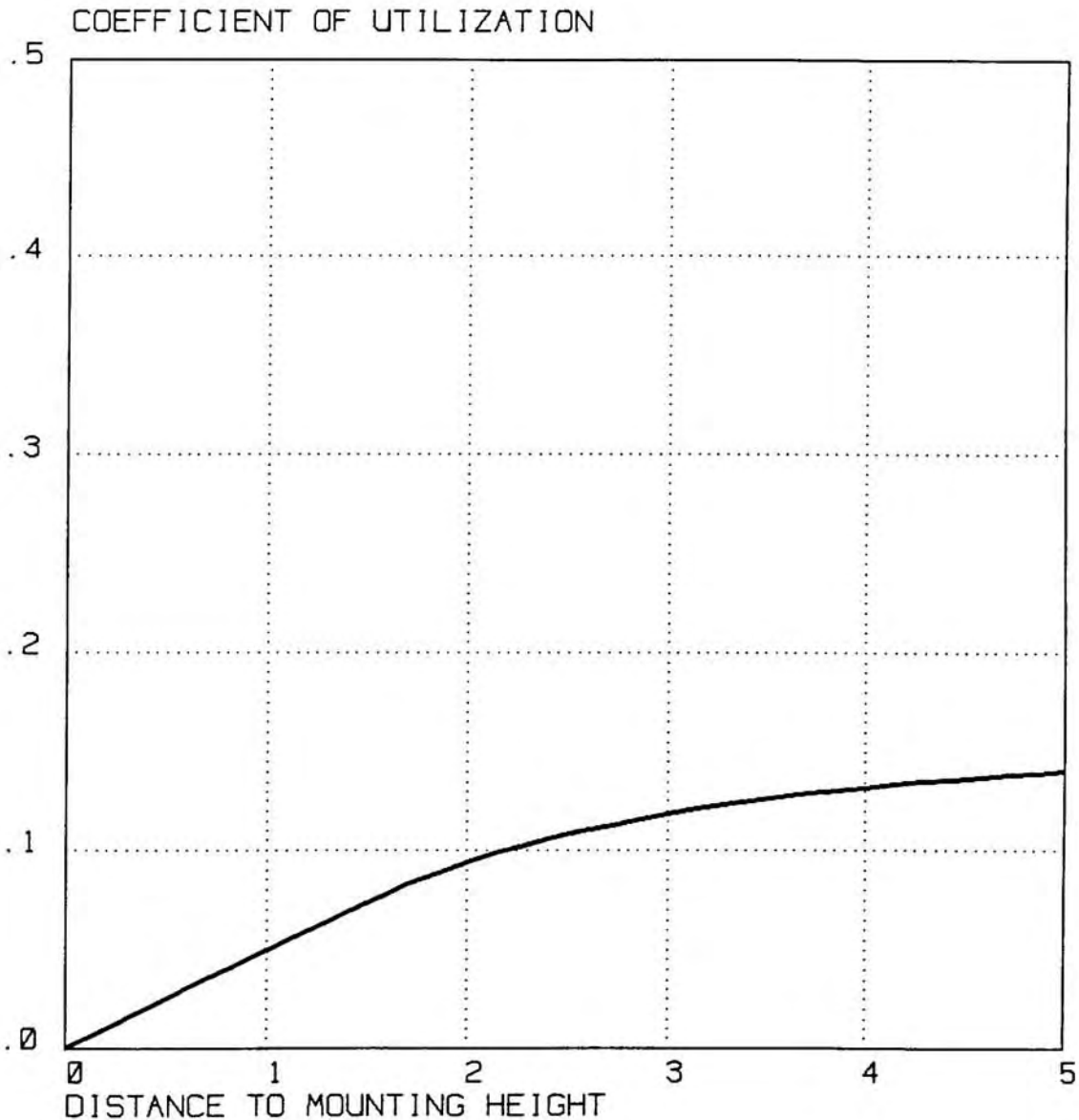






BALLABS CERTIFIED TEST REPORT NO.: 10722.0 DATE 06/26/00  
 PREPARED FOR: POLYMER PRODUCTS, LLC - STAMFORD, CONN  
 DESCRIPTION: 1/100W CLEAR ED17 MH LAMP 4.75"DIA POST LIGHT REFRACTOR  
 S-5 TYPE BOROSILICA GLASS REFRACTOR - OPEN TOP  
 MOUNTED ON CAST ALUMINUM FITTER - NO GLOBE ASSEMBLY  
 CATALOG NBR: 19-02-04103  
 LAMP TYPE : M90 RATED LUMENS 9000. NBR. LAMPS:- 1

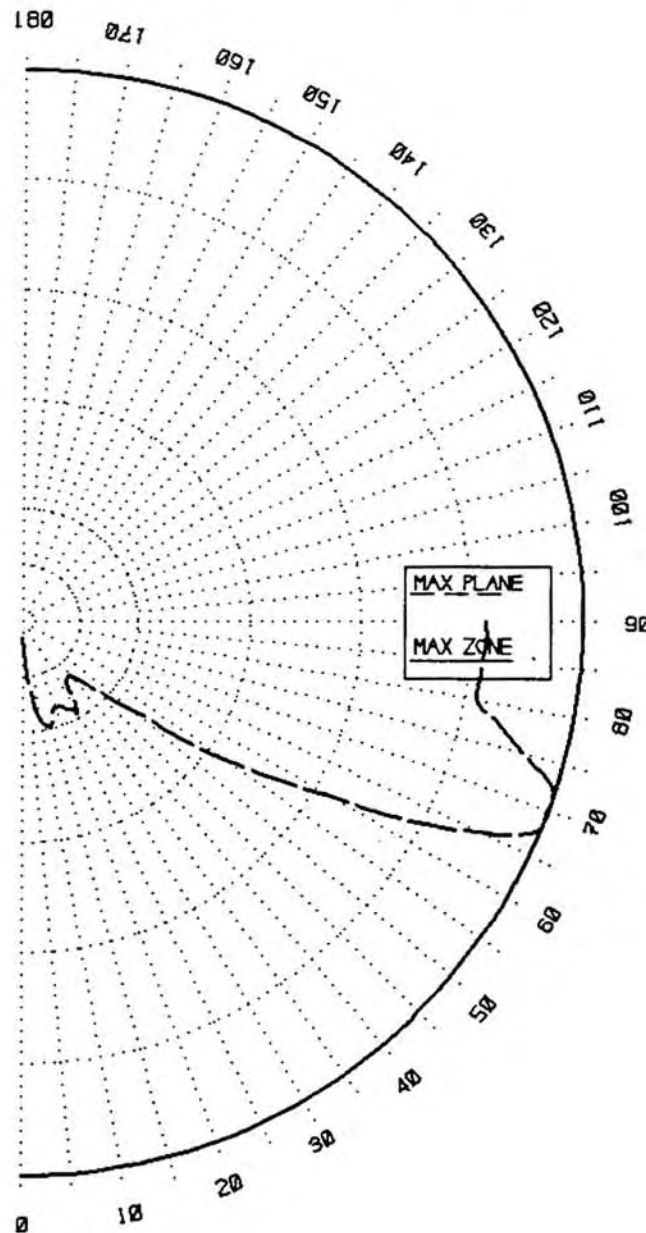
COEFFICIENTS OF UTILIZATION			EFFICIENCY		
RATIO	FRONT	BACK	BACK	LUMENS	%LAMP
0.5	.022	.022	DOWNWARD	1559.	17.3
1.0	.050	.050	UPWARD	2163.	24.0
2.0	.094	.094	FRONT		
3.0	.119	.119	DOWNWARD	1559.	17.3
4.0	.132	.132	UPWARD	2163.	24.0
5.0	.141	.141	TOTAL	7442.	82.7



BALLABS CERTIFIED TEST REPORT NO.: 10722.0 DATE 06/26/00  
 PREPARED FOR: POLYMER PRODUCTS, LLC - STAMFORD, CONN  
 DESCRIPTION: 1/100W CLEAR ED17 MH LAMP 4.75"DIA POST LIGHT REFRACTOR  
 S-5 TYPE BOROSILICA GLASS REFRACTOR - OPEN TOP  
 MOUNTED ON CAST ALUMINUM FITTER - NO GLOBE ASSEMBLY  
 CATALOG NBR: 19-02-04103  
 LAMP TYPE : M90 RATED LUMENS 9000. NBR. LAMPS:-

VALUE OF MAXIMUM BEAM CANDLEPOWER 887.  
 PLANE OF MAXIMUM BEAM CANDLEPOWER 180.  
 ZONE OF MAXIMUM BEAM CANDLEPOWER 70.0

ANGLE	CANDLEPOWER IN MAX. PLANE
.0	25.
5.0	88.
10.0	160.
15.0	173.
20.0	145.
25.0	151.
30.0	172.
35.0	121.
40.0	113.
45.0	144.
50.0	219.
55.0	384.
60.0	560.
62.5	692.
65.0	796.
67.5	881.
70.0	887.
72.5	880.
75.0	822.
77.5	777.
80.0	731.
82.5	731.
85.0	731.
87.5	735.
90.0	734.



ANGLE	CANDLEPOWER IN MAX. ZONE
0	887.
5	887.
15	887.
25	887.
35	887.
45	887.
55	887.
65	887.
75	887.
85	887.
90	887.
95	887.
105	887.
115	887.
125	887.
135	887.
145	887.
155	887.
165	887.
175	887.
180	887.

